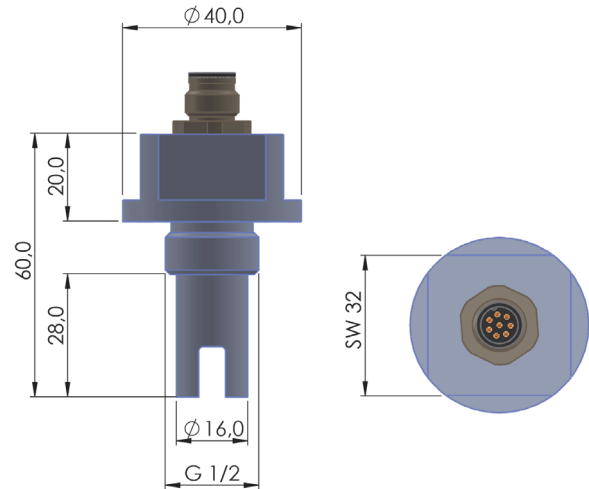


# Conductivity Cell LF4613

## Dimensions



## Characteristics

- 4-electrode screw-in cell; pipe thread acc. to DIN ISO 228
- Measuring range 0..20 µS/cm up to 0..200 mS/cm
- Insensitive against soiling
- No influence from polarization effects and line resistance

## Technical data

Cell constant	: C = 0.4 exact cell constant labeled on the type plate
Process temperature	: 0..+60 °C
Process pressure	: max. 16 bar, at 22 °C
Process connection	: pipe thread acc. to DIN ISO228
Process material	: PVC-U acc. to DIN 8061/8062, graphite (electrodes) Electrical connection 8 pole round connector plug M12x1, IP67
Material	: brass nickel plated
Temperature measurement	: integrated Pt1000 sensor DIN IEC751, class A

## Ordering code

LF4613 - C0,4 -  1. -  2. -  3.

4-Electrodes-Conductivity measuring cell	
<b>1. Process connection (A)</b>	
G ½ A	Cylindric screw thread G ½ A
<b>2. Electrical connection</b>	
1	8-pole round plug connector
<b>3. Options</b>	
00	without option
03	8-pole round plug connector stainless steel