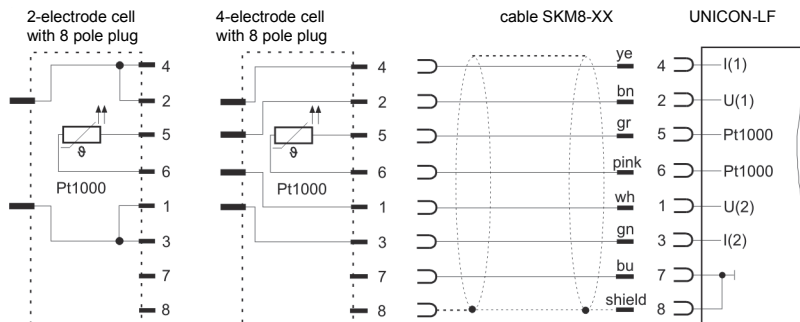


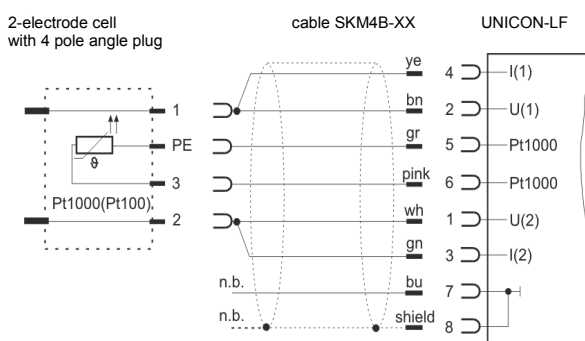
Connection Diagrams Conductivity Measurement

Connection at UNICON-LF field case

A

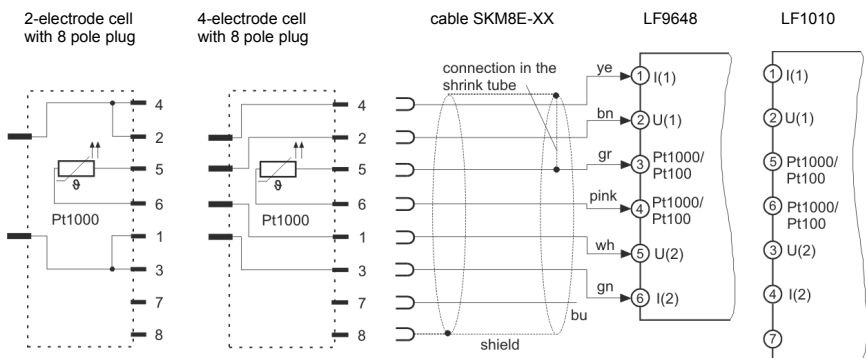


B



Connection at LF1010 and LF9648

D



E

